



**STEADY
REST**

Steady Rest for standard turning applications

FRUN series

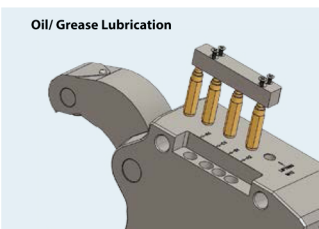
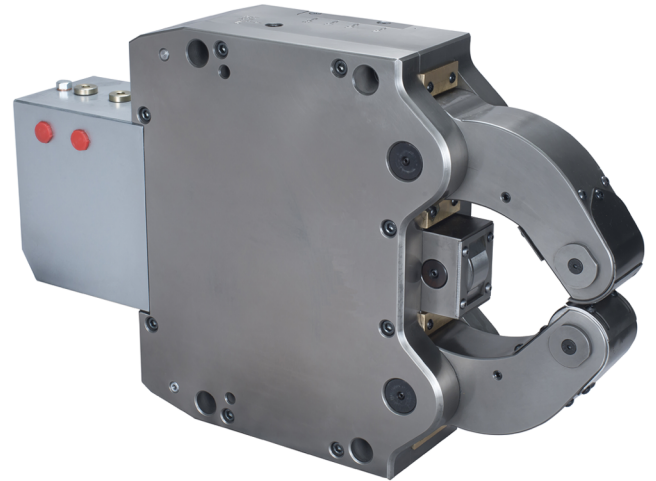
FRUN Series

Fully sealed series for all standard applications for better protection from coolant and swarf. Available to steady a range of diameters from 6mm to 350mm. These Steadies work on both flat bed as well as slant bed CNC lathes. Compact in size with a front body profile for easy chip flow.

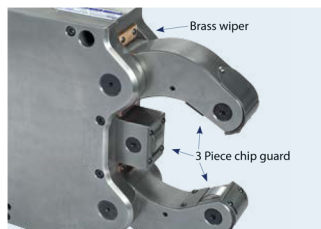
Mounting brackets are available according to the customers requirements.

Standard Features

- Safety valve
- Provision for max. opening feedback
- 1 set swarf guard 3-piece
- Provision for compressed air connection
- Provision for centralized lubrication suitable for Grease or oil



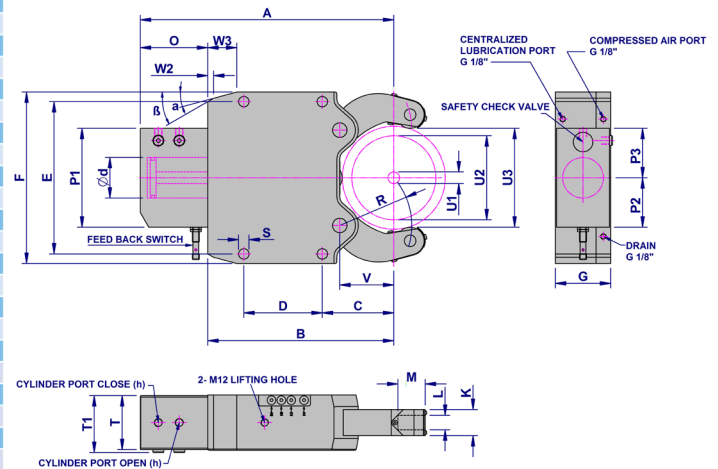
Oil/ Grease Lubrication



Brass wiper
3 Piece chip guard

Dimensions

	FRUN1	FRUN2	FRUN3	FRUN3.1	FRUN3.2	FRUN4	FRUN5	FRUN5.1
A	214.5	277	428	436	451	603	697	717
B	149	195	312	320	335	448	510	530
C	52	70	115	123	138	146	178	198
D	66	85	135	135	135	240	270	270
E	140	170	262	262	262	365	400	400
F	160	195	295	295	295	405	440	440
G	63	75	95	95	95	110	145	145
K	28	35	45	45	45	60	75	75
L	15	19	25	25	25	25	29	29
M	24	35	47	47	47	52	62	62
O	65.5	82	116	116	116	155	187	187
P1	95.5	122	144	144	144	164	174	174
P2	37.5	61	72	72	72	82	87	87
P3	58	61	72	72	72	82	87	87
R	55	65.5	115.5	124	140	172	209	229
S	11	14	18	18	18	23	23	23
T	57	69	93	93	93	108	140	140
T1	62	74	98	98	98	113	147	147
V	41	51	85	93	108	128	160	180
W2	5	11.2	10	10	10	18.3	19	19
W3	20	30	50	50	50	58	62	62
β	45	30	30	30	30	40	40	40
α	15	15	15	15	15	15	18	18



Specifications

		FRUN1	FRUN2	FRUN3	FRUN3.1	FRUN3.2	FRUN4	FRUN5	FRUN5.1
Centering range	U1	6	8	12	20	50	30	45	85
	U2	70	101	152	165	200	245	310	350
Max. Axial opening	U3	75	106	162	170	202	253	318	352
Cylinder Bore.	d	30	50	70	70	70	90	100	100
Hyd. Connection.	h	1/8" BSP	G 1/4"	G 1/4"	G 1/4"	G 1/4"	G 1/4"	G 1/4"	G 1/4"
Operating pressure. Min/Max	bar	6--50	8--70	8--80	8--80	8--80	8--80	8--80	8--80
Max. clamp force/roller.	daN	100	450	1000	1000	1000	1700	2000	2000
Centering accuracy	mm	0.02	0.02	0.04	0.04	0.04	0.04	0.06	0.06
Repeatability.	mm	0.005	0.005	0.007	0.007	0.007	0.007	0.01	0.01
Max. peripheral Roller speed.	m/min	850	800	725	725	725	725	700	700
Weight Approx.	kg	10	20	48	48	48	104	174	178